

Modle NO.	CCT	Center		
		code	x	y
RF-R30HP32DS-BF-I3-Y	3000K	30M	0.4403	0.4030
RF-R40HP32DS-BF-I3-Y	4000K	40M	0.3801	0.3801
RF-R6HP32DS-BF-I3-Y	6500K	A65	0.3165	0.3400

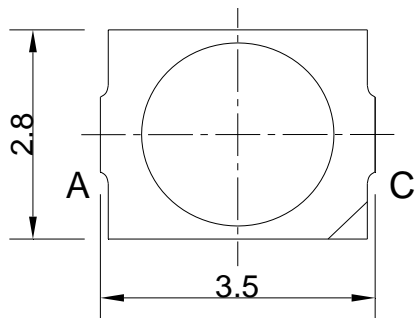


Fig.1-1 Top view

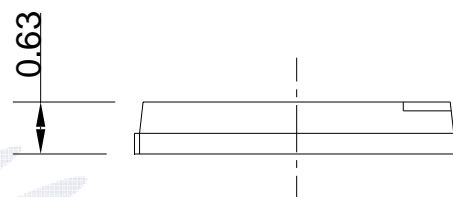


Fig.1-2 Side view

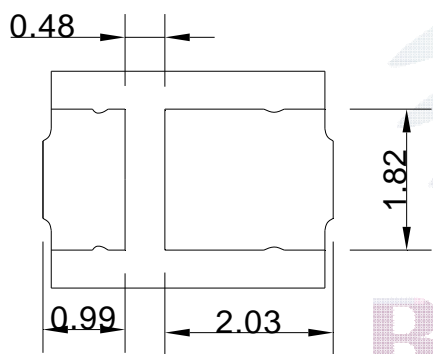


Fig.1-3 Bottom view



Polarity
A:anode
C:cathode

Fig.1-4 Polarity

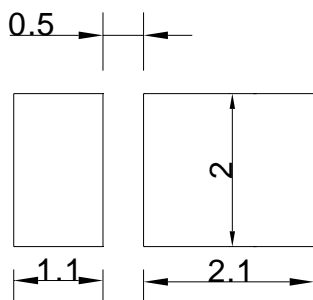


Fig.1-5 Soldering patterns

Notes

1. All dimensions units are millimeters. mm.
2. All dimensions tolerances are 0.05mm unless otherwise noted. ±0.05mm.