



Test Report

Report Number FP240603050203C

Sample Description LED

Model Specification RF-A3F30-WYSJ-A8

Title of Client _____

Inspection Items _____

Service Category _____



GKTech Co., Ltd.

1
2
3
4
5
6
7
8

LED-FPD

15

17

A 7


304

528200

0757-86081849

0757-86081835

FP240603050203C

	LED		
	RF-A3F30-WYSJ-A8		/
	2024.06.03		1pc
			2024.06.07
		17	A 7 304
	23±3	40~60% RH	
	LAB-WI-013-C/0		
			
	2024 06 11		
	1 1601		
	13923464124		/
	/		

谢育仁

2024.06.11



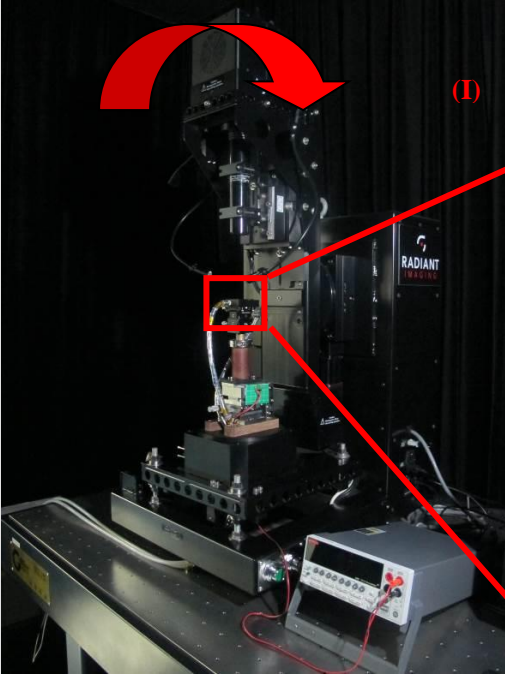
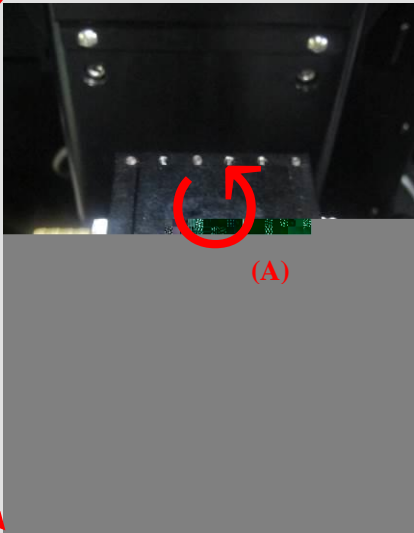
赵惠科

2024.06.11

曾雅佩

2024.06.11

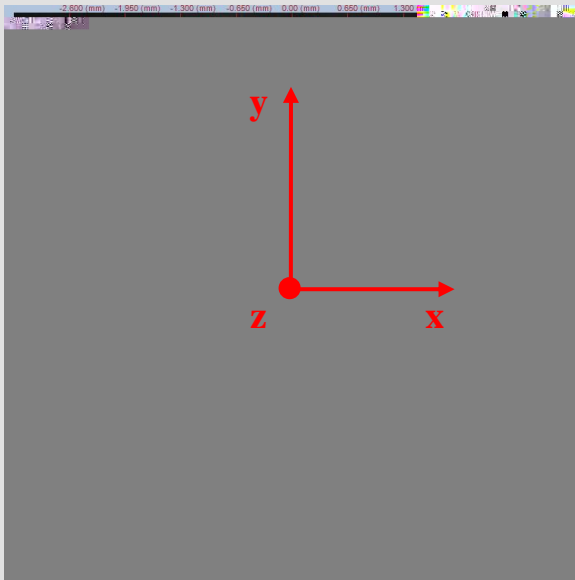
FP240603050203C

1			SIG 400		FSLDA20012				
	SIG version 2.2								
			(I)		(A)				
	(mA)	(V)							
RF-A3F30-WYSJ-A8	140	3.31	0°~90°	5°	0°~360°	5°	x	0.5719	
							y	0.4174	
								39.91 lm	
	<div style="display: flex; justify-content: space-around; align-items: center;"> <div style="text-align: center;">  <p>(a)</p> </div> <div style="text-align: center;">  <p>(b)</p> </div> </div> <p style="text-align: center;">RF-A3F30-WYSJ-A8</p>								
	<div style="display: flex; justify-content: space-around; align-items: center;"> <div style="text-align: center;">  <p>1</p> </div> <div style="text-align: center;">  <p>2</p> </div> </div> <p style="text-align: center;">SIG 400</p>								

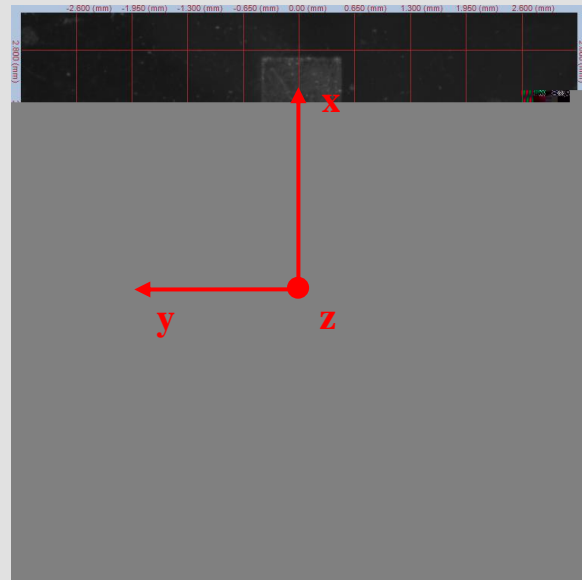
FP240603050203C

RF-A3F30-WYSJ-A8

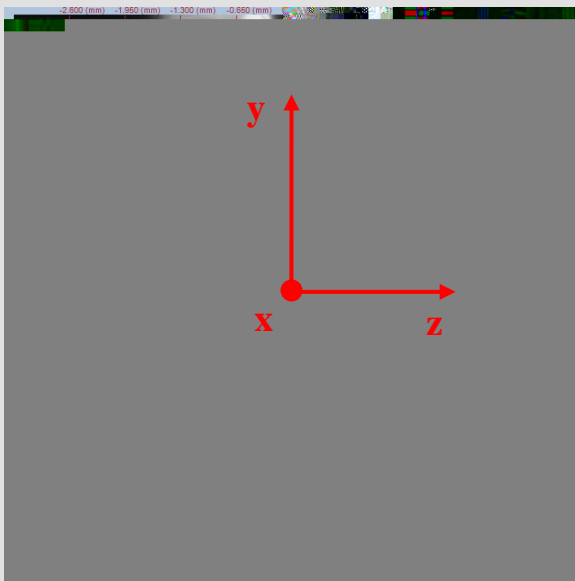
1. ($x=0.2013\text{mm}, y=-0.0321\text{mm}, z=-0.0510\text{mm}$)



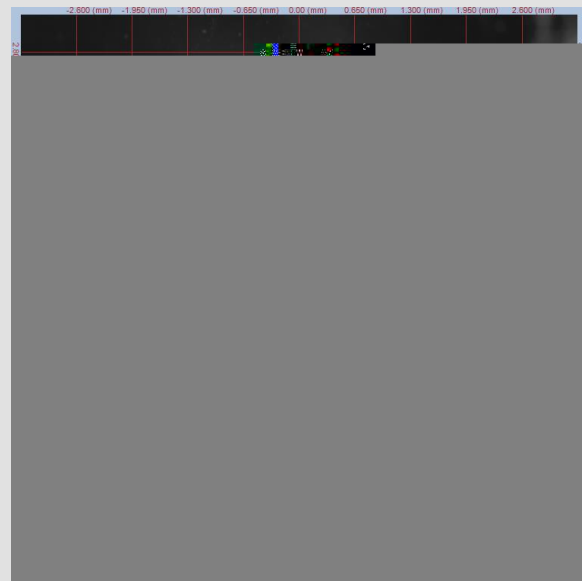
$3 I=0^\circ, A=0^\circ$



$4 I=0^\circ, A=90^\circ$

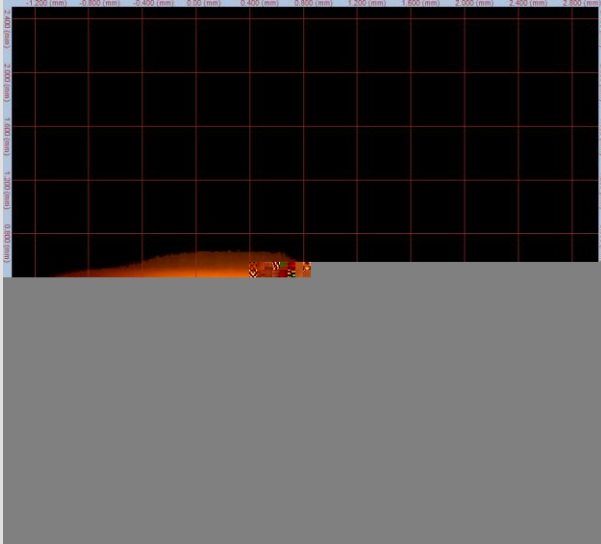


$5 I=90^\circ, A=0^\circ$

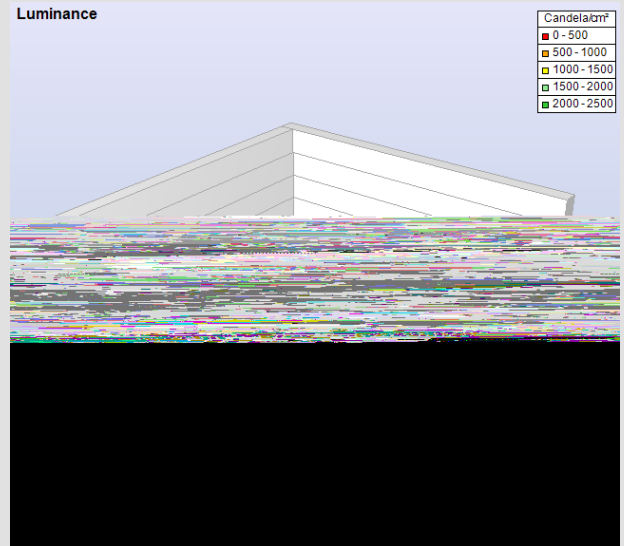


$6 I=50^\circ, A=75^\circ$

2.

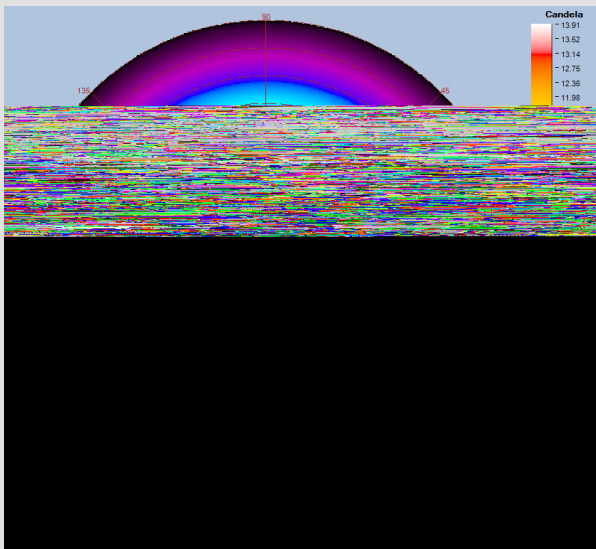


7

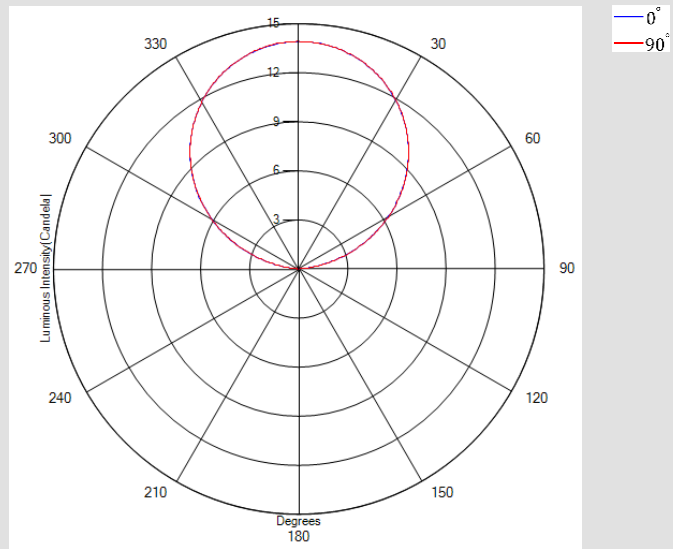


8

3D



9



10
